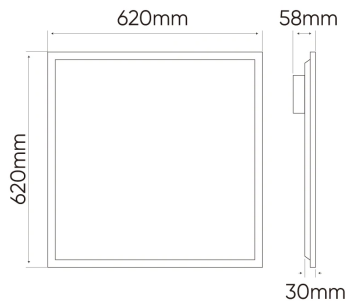


LED line PRIME Panel Backlit 34W CCT 4760lm UGR<19 620x620



The Backlit LED line PRIME panel is an ideal solution for the German market, where energy-saving and efficient light sources are needed for lighting projects. Its high lighting quality and low glare make it an excellent choice for office, retail, educational spaces and other places where comfort and lighting quality play a key role.

The luminaire has a backlit design, which means placing the LEDs on the back of the body to ensure high and uniform light output.

Equipped with a yellow free type diffuser, it does not yellow, and the micro-prismatic texture provides high light transmittance while reducing glare (UGR<19 rating), which is beneficial for user comfort.

Lifud's robust power supply is a guarantee of trouble-free operation, but also a long life of the luminaire.

The luminaire provides high performance: an impressive luminous flux of 4760 lm and an efficiency of 140 lm/W. The luminaires are available with a 5-year warranty, giving you peace of mind that your investment in the panel is covered by the manufacturer's solid support and demonstrating confidence in the durability and reliability of the luminaires offered.

Backlit LED line PRIME panel is an excellent solution also because of the possibility of multiple mounting options. It allows flush mounting in modular suspended ceilings. It will also work well in cardboard/gypsum ceilings, using special brackets. Surface mounting is possible with a frame.

The luminaire is ENEC certified, confirming its high quality and compliance with European safety standards.



Yellow free technology means that the housing of this product is made of high quality material which is resistant to yellowing degeneration caused by UV radiation, thanks to which the product maintains its aesthetic appearance for many years.

Manufacturer issues a 5-year warranty for this product.



Reliable photometric files are available based on photometric tests performed at the LED line® Light Research and Measurement Centre.



FLICKER FREE™ system guarantees no harmful flickering effect and ensures safety for users' eyesight.



This product has been contrued with the use of high quality LIFUD branded driver.



Voltage range and voltage type



Beam angle



Ambient temperature suitable for operation



LED type



Lifespan



140 lm/W



LED quantity

Parameter	Value
Luminous efficacy	140 lm/W
Power	34 W
Energy efficiency class 2019/2015	C
Luminous flux	4760 lm
Correlated colour temperature	3000-5000 K
Colour consistency in McAdam ellipses	≤6
IP protection rating	20
Warranty (years)	5
Dimmable function	Yes
Survival factor	0.9
Lifetime L70B50	50 000
Supply voltage range and voltage type	220-240 AC
Frequency of the supply voltage	50/60Hz
Colour rendering index Ra	80
Colour	White
The lumen maintenance factor	96
Beam angle	90 °
Material (cover)	polystyrene
Material (housing)	aluminum
LED type	SMD LED 2835
LED quantity	128
Power Factor	0,9

Parameter	Value
Number of on/off cycles	50000
Colour consistency in McAdam ellipses	≤6
Ambient temperature suitable for operation	-20 ÷ 40 °C
IEC protection class	II
IK protection rating	02
Lamp's warm-up time to 60%	1
Height	30 mm
EPREL ID	1947 263
Date of first placement on the market	2024-06-24 04:43:10
Form of the product (EPREL)	Source Out
Angle for useful luminous flux (EPREL)	Sphere 360 degrees
Is the product equipped with an integrated light source? (EPREL)	Yes
Non-directional or directional light source (EPREL)	NDLS
Is this product a light source? (EPREL)	No
Mains or non- mains light source (EPREL)	NMLS
Connected light source (EPREL)	No
Colour-tuneable light source (EPREL)	No
R9 colour rendering index value (EPREL)	19
Total luminous flux (EPREL)	5 550
On-mode power P_{on} (EPREL)	32
Useful luminous flux Φ_{use} (EPREL)	5 550
Beam angle in degrees (EPREL)	120

Single packaging



35
640
630
2,6
1

Bulk packaging



5

Europallet

