

LED line PRIME

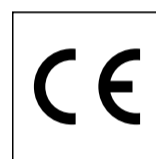
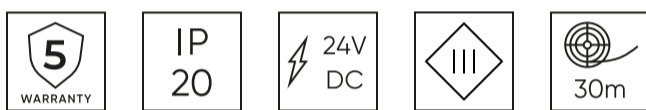
Code: 211117

EAN: 5905378211117

**LED strip 320 COB 24V 6500K 5W IP20
8mm 30m 500lm/m PRIME**



The LED 320 COB tape 30 m long, supplied with 24 V DC voltage, emits a white light with a colour temperature of 6500 K. The nominal power is 5 W per metre, which provides a light efficiency of 100 lm/W and a colour reproduction coefficient of 90 Ra. The product has a high durability, reaching up to 50,000 working hours. It offers the possibility of dimming the PWM and has IP20 seal class. It complies with safety standards and is available in white.



Technical data

Parameter	Value
Energy efficiency class 2019/2015	F
Warranty	5
Power	• 5 W / m
Voltage	• 24 V DC
Correlated colour temperature	• 6500 K
Colour of the light	White
Colour rendering index Ra	90
IP protection rating	IP20
IEC protection class	III
Cutting section	5 cm
Luminous efficacy	100
The lumen maintenance factor	96
Lifetime L70B50	50 000 h
L80B* - difference B10-B50 ≈ 1% (according to LightingEurope) - negligible	35000 h
Survival factor	0.9
Dimmable function	PWM

Parameter	Value
Colour consistency in McAdam ellipses	≤3
Wire length	200 mm
Luminous flux (lm)	500
Current (Im)	0,20
Beam angle	180
LED type	COB
LED quantity	1600
Compatible dimmer type	PWM
Laminate (colour)	White
Laminate (thickness)	2
LED quantity (lm)	320
Type of adhesive tape	3M 300 LSE
Ambient temperature suitable for operation	-30 ÷ 45
For indoor use	Inside
Height	2

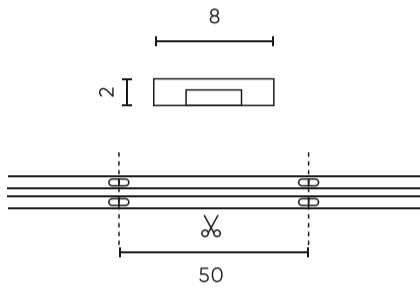
LED line PRIME

Code: 211117

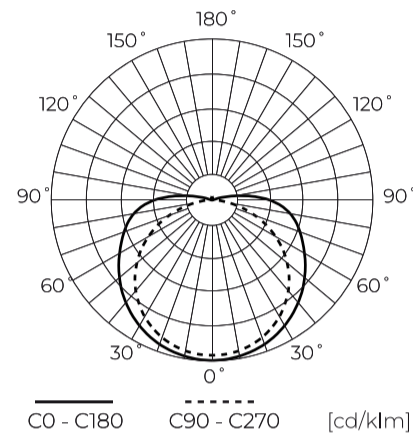
EAN: 5905378211117

**LED strip 320 COB 24V 6500K 5W IP20
8mm 30m 500lm/m PRIME**

Technical drawing



Light distribution



Additional product photos



Logistics data



Single packaging

Quantity	30 m
Weight	0,538 kg

Bulk packaging

Quantity	20
Width	350 mm
Height	290 mm
Length	450 mm
Weight	13,36 kg

Europallet

LED line PRIME

Code: 211117

EAN: 5905378211117

**LED strip 320 COB 24V 6500K 5W IP20
8mm 30m 500lm/m PRIME**

Example application