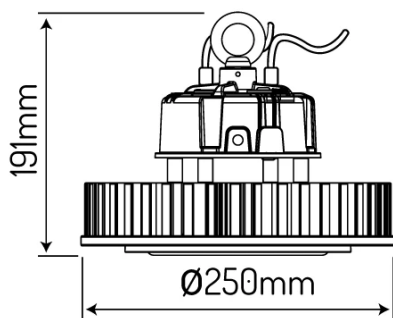


## LED line® RAIDER High-Bay 150W 130lm/W 4000K 120°



Reliable photometric files are available based on photometric tests performed at the LED line® Light Research and Measurement Centre.

Manufacturer issues a 5-year warranty for this product.



Beam angle



LED type



LED provided by  
LUMILEDS

High luminous efficacy is ensured by the use of high quality LUMILEDS branded LEDs.



Voltage range and voltage type



Ambient temperature suitable for operation



Lifespan



LED quantity

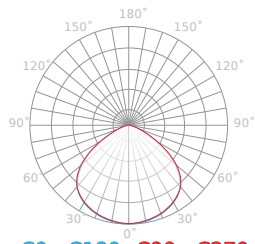
Parameter	Value
Luminous efficacy	130 lm/W
Power	150 W
Colour of the light	White
Energy efficiency class 2019/2015	E
Luminous flux	19500 lm
Correlated colour temperature	4000 K
Colour consistency in McAdam ellipses	≤6
IP protection rating	65
Warranty (years)	5
Dimmable function	No
Survival factor	0.9
Lifetime L70B50	50 000
Supply voltage range and voltage type	100-277V AC
Frequency of the supply voltage	50/60Hz
Colour rendering index Ra	80
Colour	Black
The lumen maintenance factor	96
Lamp's diameter	250
Beam angle	120 °
Material (cover)	polycarbonate

Parameter	Value
Number of on/off cycles	50000
Colour consistency in McAdam ellipses	≤6
Ambient temperature suitable for operation	~ -40 ÷ 45 °C
IEC protection class	I
IK protection rating	08
Full box quantity	1 pc
Lamp's warm-up time to 60%	1
Height	191 mm
Product weight with packaging (g)	3296 g
EPREL ID	632 281
Date of first placement on the market	2016-08-01 00:40:30
Energy class	A+
Angle for useful luminous flux (EPREL)	Wide cone of 120 degrees
Is the product equipped with an integrated light source? (EPREL)	No
Non-directional or directional light source (EPREL)	DLS
Is this product a light source? (EPREL)	Yes
Mains or non- mains light source (EPREL)	MLS
Connected light source (EPREL)	No
Colour-tuneable light source (EPREL)	No

Material (housing)	aluminum
LED type	SMD3030
LED quantity	200
Lifespan	100000
Power Factor	0,95

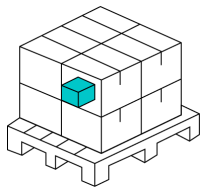
R9 colour rendering index value (EPREL)	16
Total luminous flux (EPREL)	19 500
On-mode power $P_{on}$ (EPREL)	150
Useful luminous flux $\Phi_{use}$ (EPREL)	16 800
Beam angle in degrees (EPREL)	120

Luminous [cd/klm]



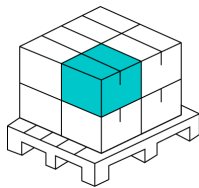
C0 - C180 C90 - C270

Single packaging



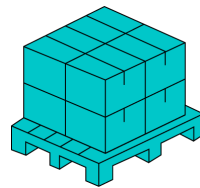
330  
200  
330  
3,35  
1

Bulk packaging



1

Europallet



6