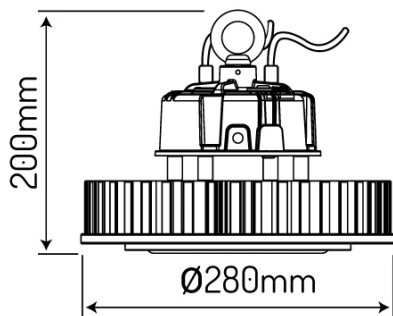


LED line® High-Bay UFO 200W 150lm/W 4000K 1-10V 60° RAIDER



Reliable photometric files are available based on photometric tests performed at the LED line® Light Research and Measurement Centre.



Manufacturer issues a 5-year warranty for this product.



The power supply system used allows for smooth adjustment of light intensity using an appropriate dimmer.



Beam angle



Voltage range and voltage type



Ambient temperature suitable for operation



LED type



Lifespan

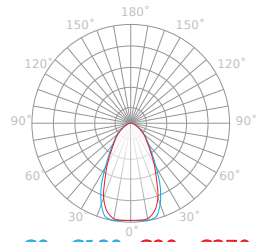


LED quantity

Parameter	Value
Luminous efficacy	150 lm/W
Power	200 W
Colour of the light	White
Energy efficiency class 2019/2015	D
Luminous flux	30000 lm
Correlated colour temperature	4000 K
Colour consistency in McAdam ellipses	≤6
IP protection rating	65
Warranty (years)	5
Dimmable function	1-10
Survival factor	0.9
Lifetime L70B50	50 000
Supply voltage range and voltage type	100-277 VAC
Frequency of the supply voltage	50/60Hz
Colour rendering index Ra	70
Colour	Black
The lumen maintenance factor	96 %
Lamp's diameter	280

Parameter	Value
Beam angle	60 °
Material (cover)	polycarbonate
Material (housing)	aluminum
LED type	SMD3030
LED quantity	280
Lifespan	100000
Power Factor	0,95
Number of on/off cycles	50000
Colour consistency in McAdam ellipses	≤6
Ambient temperature suitable for operation	-40÷45 °C
For indoor and outdoor use	YES
IEC protection class	I
IK protection rating	08
Full box quantity	1 pc
Lamp's warm-up time to 60%	1
Height	200 mm
Product weight with packaging	3732 g
Energy class	A+

Luminous [cd/klm]



C0 - C180 C90 - C270

Single packaging



Width	345 mm
Height	200 mm
Length	345 mm
Weight	3,77 kg
	1

Bulk packaging



Width	1
	345 mm
Length	200
	345 mm
Weight	3,77 kg
Volume	0,023 m ³

Europallet



Weight of a euro pallet	48
	180,96 kg
	1744
	6
	8