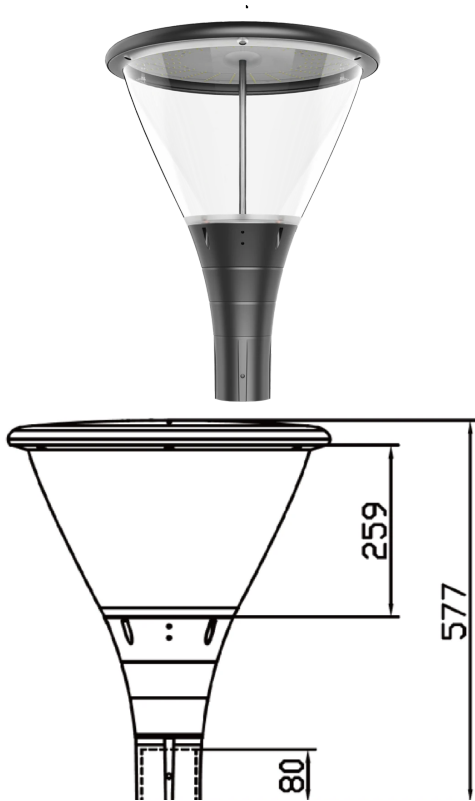


Park luminaire Nolina 60W 4000K 9000lm black PRIME

NOLINA luminaires are available in two power options: 30W and 60W. Equipped with LUMILEDS 3030 LEDs and other carefully selected and quality-tested components, they ensure reliable operation and long life, which translates into reduced maintenance and component replacement needs and costs.

NOLINA are luminaires designed for harsh weather conditions. Appropriate construction (IP66 degree of protection) and the use of high quality materials (IK08 degree of protection), such as polycarbonate diffuser and cast aluminium housing, guarantee resistance to external factors such as rain, wind or changing temperatures.

The luminaires come with a 5-year guarantee, which means that over such a long period, the investor does not have to bear the costs associated with any repairs or replacement of the lighting. This is important, especially for large projects where the costs of maintaining the lighting infrastructure can be significant. The service life of the luminaire, marked as L70B50 70 000h in practice, means that after the specified operating time, at least 50% of the LEDs in the luminaire will still be illuminated with a brightness of at least 70% of their initial value.



Number of on/off cycles



Voltage range and voltage type



IK protection rating



Lifespan



Beam angle



Ambient temperature suitable for operation

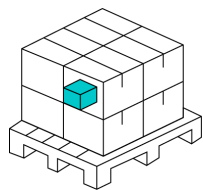


LED type

Parameter	Value
Luminous efficacy	150 lm/W
Power	30 W
Colour of the light	White
Energy efficiency class 2019/2015	C
Luminous flux	9000 lm
Correlated colour temperature	4000 K
Colour consistency in McAdam ellipses	≤6
IP protection rating	66
Warranty (years)	5
Survival factor	0.9
Lifetime L70B50	70 000
Wire length	550 mm
Weight	6000 g
Supply voltage range and voltage type	220-240 VAC
Frequency of the supply voltage	50/60Hz
Colour rendering index Ra	70
Colour	Black

Parameter	Value
The lumen maintenance factor	96 %
Fixture's diameter	450
Beam angle	100 °
Material (cover)	polycarbonate
Material (housing)	DIE-CAST alu
LED type	SMD LED
Power Factor	0,95
Number of on/off cycles	50000
Colour consistency in McAdam ellipses	≤6
Ambient temperature suitable for operation	-40+50 °C
For indoor and outdoor use	YES
IEC protection class	I
IK protection rating	08
Lamp's warm-up time to 60%	1
Width	450 mm
Height	577 mm
Product weight with packaging	7868 g

Single packaging



Width	485 mm
Height	635 mm
Length	485 mm
Weight	7,87 kg
	1

Bulk packaging



Number of pieces/tape in meters pack zb	1 szt.
Width	470
Height of collective packaging	430
Length	450
Weight	13
Volume	0,09

Europallet

