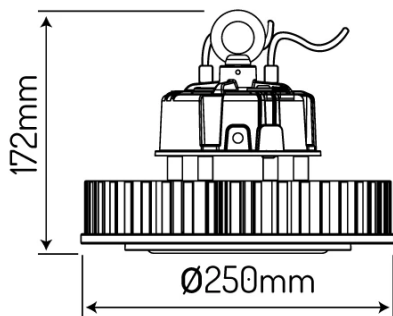


## LED line® High-Bay UFO 100W 150lm/W 4000K 1-10V 120° RAIDER



High luminous efficacy ensured by high quality CREE branded LEDs.



Manufacturer issues a 5-year warranty for this product.



Beam angle



Ambient temperature suitable for operation



Lifespan



Reliable photometric files are available based on photometric tests performed at the LED line® Light Research and Measurement Centre.



The power supply system used allows for smooth adjustment of light intensity using an appropriate dimmer.



Voltage range and voltage type



LED type

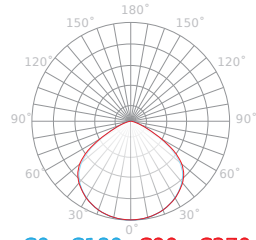


LED quantity

Parameter	Value
Luminous efficacy	150 lm/W
Power	100 W
Colour of the light	White
Energy efficiency class 2019/2015	D
Luminous flux	15000 lm
Correlated colour temperature	4000 K
Colour consistency in McAdam ellipses	≤6
IP protection rating	65
Warranty (years)	5
Dimmable function	1-10
Survival factor	0.9
Lifetime L70B50	50 000
Supply voltage range and voltage type	100-277 VAC
Frequency of the supply voltage	50/60Hz
Colour rendering index Ra	70
Colour	Black
The lumen maintenance factor	96 %
Lamp's diameter	250

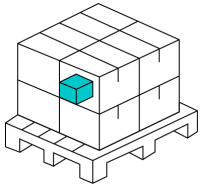
Parameter	Value
Beam angle	120 °
Material (cover)	polycarbonate
Material (housing)	aluminum
LED type	SMD3030
LED quantity	144
Lifespan	100000
Power Factor	0,95
Number of on/off cycles	50000
Colour consistency in McAdam ellipses	≤6
Ambient temperature suitable for operation	-40÷45 °C
For indoor and outdoor use	YES
IEC protection class	I
IK protection rating	08
Full box quantity	1 pc
Lamp's warm-up time to 60%	1
Height	172 mm
Product weight with packaging	2950 g
Energy class	A+

Luminous [cd/klm]



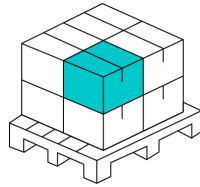
C0 - C180 C90 - C270

Single packaging



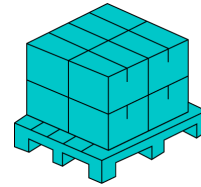
Width	320 mm
Height	175 mm
Length	320 mm
Weight	2,93 kg
	1

Bulk packaging



Width	1
Length	320 mm
Weight	175
Volume	320 mm
	2,93 kg
	0,018 m <sup>3</sup>

Europallet



Weight of a euro pallet	48
	140,64 kg
	1544
	6
	8