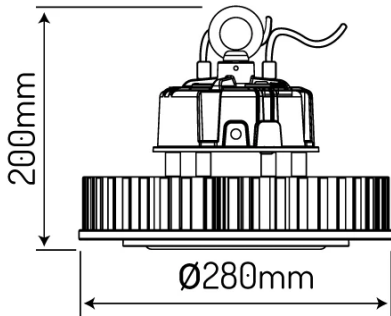


LED line® High-Bay UFO 200W 130lm/W 4000K 90° RAIDER 130



Reliable photometric files are available based on photometric tests performed at the LED line® Light Research and Measurement Centre.



Manufacturer issues a 5-year warranty for this product.



Voltage range and voltage type



LED type



LED quantity



High luminous efficacy is ensured by the use of high quality LUMILEDS branded LEDs.



Beam angle



Ambient temperature suitable for operation

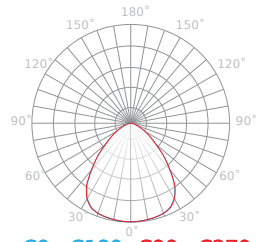


Lifespan

Parameter	Value
Luminous efficacy	130 lm/W
Power	200 W
Colour of the light	White
Energy efficiency class 2019/2015	D
Luminous flux	26000 lm
Correlated colour temperature	4000 K
Colour consistency in McAdam ellipses	≤6
IP protection rating	65
Warranty (years)	5
Survival factor	0.9
Lifetime L70B50	50 000
Supply voltage range and voltage type	100-277 VAC
Frequency of the supply voltage	50/60Hz
Colour rendering index Ra	80
Colour	Black
The lumen maintenance factor	96 %
Lamp's diameter	280
Beam angle	90 °

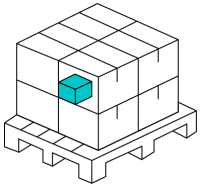
Parameter	Value
Material (cover)	polycarbonate
Material (housing)	aluminum
LED type	SMD3030
LED quantity	250
Lifespan	100000
Power Factor	0,95
Number of on/off cycles	50000
Colour consistency in McAdam ellipses	≤6
Ambient temperature suitable for operation	-40÷45 °C
For indoor and outdoor use	YES
IEC protection class	I
IK protection rating	08
Full box quantity	1 pc
Lamp's warm-up time to 60%	1
Height	200 mm
Product weight with packaging	3738 g
Energy class	A+

Luminous [cd/klm]



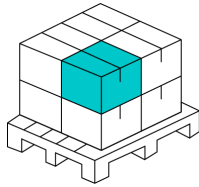
C0 - C180 C90 - C270

Single packaging



Width	350 mm
Height	200 mm
Length	350 mm
Weight	3,86 kg
	1

Bulk packaging



Width	1
Length	350 mm
Weight	3,86 kg
Volume	0,024 m ³

Europallet



Weight of a euro pallet	48
	185,28 kg
	1744
	6
	8