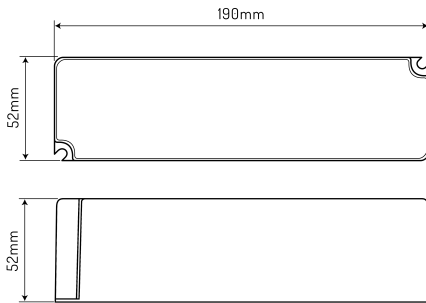


LED power supply LED line PRIME LL-100-24 IP67 24V



Waterproof switching power supplies of the LL series by LED line will prove themselves in many, even the most demanding applications. They are characterized by small dimensions, low weight, and thanks to the installation holes, they are easy to install.

- Constant voltage power supply
- Universal input voltage range
- Protections: Short circuit / Overcurrent / Overvoltage
- Free air cooling
- Full load tested
- Protection class II, power class 2 according to UL1310
- Degree of protection IP67

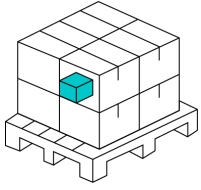


Ambient temperature suitable for operation

Parameter	Value
Output power	100.8W
Output voltage	24V
Output current range	0 ÷ 4.2A
Warranty (years)	5
Input voltage range	90 ÷ 264V AC
Input voltage frequency range	47 ÷ 63Hz
Rated current	4.2A
Safety standards	IP67
Efficiency	0,87

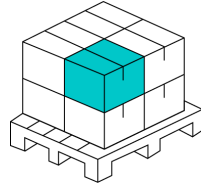
Parameter	Value
Voltage tolerance	-/+5.0%
Ambient humidity	20 ÷ 90%
Insulation strength	3kVAC
EMC standards	EN55015
Mounting type	surface
Inrush current (typ.)	35A / 230VAC
Ambient temperature suitable for operation	-30÷70 °C
IEC protection class	II

Single packaging



Width	60
Height	45
Length	215
Weight	0,63
	1

Bulk packaging



Number of pieces/tape in meters pack zb	20
Width	255
Height of collective packaging	240
Length	235
Weight	13,5

Europallet



Number of pieces/tapes in meters euro pallet	
Quantity collective euro pallet	60
Weight of a euro pallet	820
Pallet height	1060