

LED line PRIME

Code: 202658

EAN: 5905378202658

**FLOODLIGHT 4000K 600W 84000lm 90°
IP66 PRIME**



A 600 W PRIME Floodlight LED line reflector, generating an impressive light stream of 84,000 lumens. Its 90° lighting angle allows effective lighting of large surfaces. Equipped with high quality materials such as tempered glass and aluminium housing, it provides durability and resistance to atmospheric conditions thanks to IP66 leak class and IK08 protection.



Technical data

Parameter	Value
Energy efficiency class 2019/2015	D
Warranty	5/7*
Power	• 600 W
Voltage	• 100-277 V AC
Correlated colour temperature	• 4000 K
Colour of the light	White
Colour rendering index Ra	70
IP protection rating	IP66
IK protection rating	08
IEC protection class	I
Luminous efficacy	140
Luminous flux	84000

Parameter	Value
Lifetime L70B50	50 000 h
L80B* - difference B10-B50 ≈ 1% (according to LightingEurope) - negligible	35000 h
Wire length	930 mm
Frequency of the supply voltage	50/60Hz
Beam angle	90
LED type	SMD2835
LED quantity	1008
Power Factor	≥0,9
Ambient temperature suitable for operation	-40÷45
Height	65 mm
Material (housing)	Aluminium
Material (cover)	Tempered glass

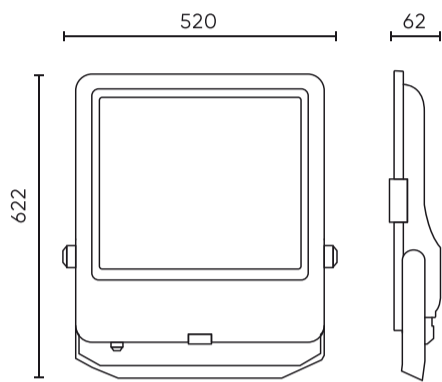
LED line PRIME

Code: 202658

EAN: 5905378202658

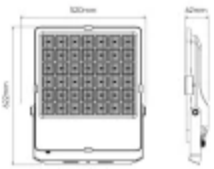
**FLOODLIGHT 4000K 600W 84000lm 90°
IP66 PRIME**

Technical drawing

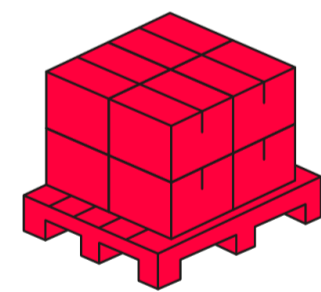
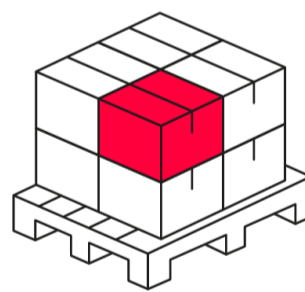
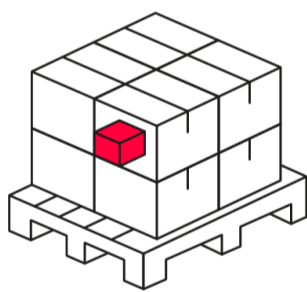


Light distribution

Additional product photos



Logistics data



Single packaging

Width	622 mm
Height	62,5 mm
Length	520 mm
Weight	10,2 kg

Bulk packaging

Quantity	1
Width	665 mm
Height	85 mm
Length	600 mm
Volume	0,033 m3
Weight	10,2 kg
Comments	

Europallet

Quantity	36
Height	1870 mm
Quantity in layer	2
Number of layers	22
Bulk quantity	44
Weight	25 kg

LED line PRIME

Code: 202658

EAN: 5905378202658

**FLOODLIGHT 4000K 600W 84000lm 90°
IP66 PRIME**

Example application