

LED line PRIME

Code: 230163

EAN: 5905378230163

**Road luminaire TOLENO Icl 4000K 86W
12900lm T2M1 IP66 Gray (RAL 9007)
CRI70 PRIME**



New



TOLENO is a two-chamber street luminaire made of high-pressure aluminum die-casting with a high IP66 tightness and IK09 impact resistance. Tool-free access, knife switch, wide adjustment of the mounting bracket, and integrated level facilitate installation and service. The tempered glass cover, directional multi-lens matrices, and high-efficiency diodes ensure optimal lighting parameters and the ability to adjust the luminaire's power. The Zhaga connector and programmable driver enable integration with control systems.



Technical data

Parameter	Value
Energy efficiency class 2019/2015	B
Warranty	5/7*
Power	• 86 W
Voltage	• 100-277 V AC
Correlated colour temperature	• 4000 K
Colour of the light	White
Colour rendering index Ra	70
IP protection rating	IP66
IK protection rating	09
IEC protection class	I
Luminous efficacy	150
Luminous flux	12900
Lifetime L70B50	100 000 h

Parameter	Value
L80B* - difference B10-B50 ≈ 1% (according to LightingEurope) - negligible	100000 h
L90B* - difference B10-B50 ≈ 1% (according to LightingEurope) - negligible	100000 h
Dimmable function	0-10
Frequency of the supply voltage	50/60Hz
Beam angle	T2M1
Power Factor	>0,95
Ambient temperature suitable for operation	-40 ÷ 45
For indoor use	Outside
Mounting hole diameter	48-60 mm
Height	95 mm
Material (housing)	Aluminium
Material (cover)	Tempered glass

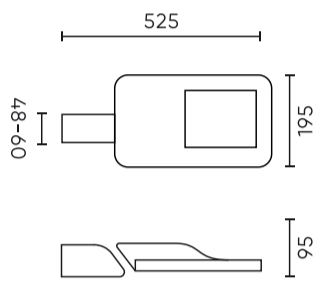
LED line PRIME

Code: 230163

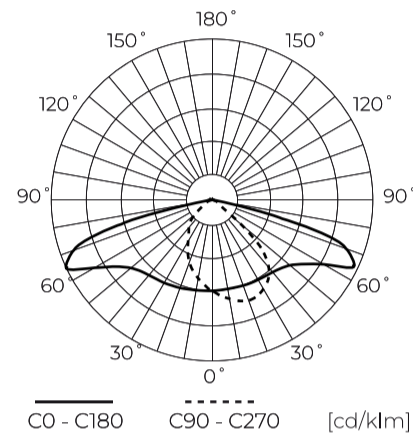
EAN: 5905378230163

**Road luminaire TOLENO Icl 4000K 86W
12900lm T2M1 IP66 Gray (RAL 9007)
CRI70 PRIME**

Technical drawing



Light distribution



Additional product photos



Logistics data



Single packaging

Width	555 mm
Height	130 mm
Length	235 mm
Weight	3,2 kg

Bulk packaging

Quantity	1
Width	555 mm
Height	130 mm
Length	235 mm

Europallet

Quantity	72
Height	1900 mm
Bulk quantity	72
Weight	310 kg

LED line PRIME

Code: 230163

EAN: 5905378230163

**Road luminaire TOLENO Icl 4000K 86W
12900lm T2M1 IP66 Gray (RAL 9007)
CRI70 PRIME**

Example application