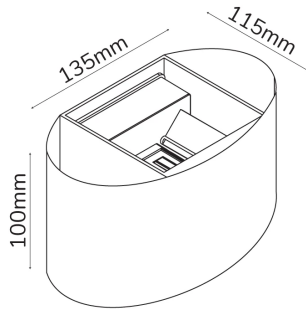


LED line LITE Outdoor wall mounted luminaire LED 2x3W 3000K IP54 white CILINDER



Introducing the CILINDER outdoor wall lamp.

If you are looking for a luminaire that provides upward and downward lighting, CILINDER is for you. Full flexibility in the positioning of the upper flux from a few degrees up to 120 degrees and independent positioning of the lower flux offers the possibility of individual design of the building's outdoor space.

Versatile possibilities of the CILINDER wall lamp

- Each luminaire is available in two colour temperatures - warm 3000K and neutral 4000K
- IP54 ingress protection rating allows the luminaire to also be used outdoors
- It is energy efficient, consuming just 2x3W
- It provides a light output of 450lm



FLICKER FREE™ system guarantees no harmful flickering effect and ensures safety for users' eyesight.



Manufacturer issues a 3-year warranty for this product.



Voltage range and voltage type



Ambient temperature suitable for operation



Lifespan



This product is suitable for surface-mounted installation.



Beam angle



LED type

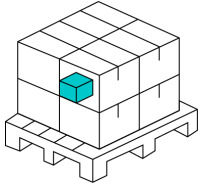


LED quantity

Parameter	Value
Energy efficiency class 2019/2015	G
Correlated colour temperature	3000 K
Colour consistency in McAdam ellipses	≤6
IP protection rating	54
Warranty (years)	3
Dimmable function	No
Survival factor	0.9
Lifetime L70B50	30 000
Dimensions (L. x W x H.)	13,5x11,5x10cm
Supply voltage range and voltage type	100- 260V AC
Frequency of the supply voltage	50/60Hz
Colour rendering index Ra	80
The lumen maintenance factor	96
Beam angle	0-120 °
Material (cover)	glass
Material (housing)	aluminum
LED type	2835 SMD
LED quantity	14
Lifespan	30000
Power Factor	0,5

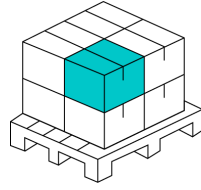
Parameter	Value
Number of on/off cycles	20000
Colour consistency in McAdam ellipses	≤6
Ambient temperature suitable for operation	-20 ÷ 40 °C
For indoor and outdoor use	YES
IK protection rating	05
EPREL ID	1366 464
Date of first placement on the market	2023-02-13 01:06:00
Form of the product (EPREL)	Source Out
Angle for useful luminous flux (EPREL)	Sphere 360 degrees
Is the product equipped with an integrated light source? (EPREL)	Yes
Non-directional or directional light source (EPREL)	NDLS
Is this product a light source? (EPREL)	No
Mains or non- mains light source (EPREL)	MLS
Connected light source (EPREL)	No
Colour-tuneable light source (EPREL)	No
R9 colour rendering index value (EPREL)	0
Total luminous flux (EPREL)	490
On-mode power P _{on} (EPREL)	6
Useful luminous flux Φ _{use} (EPREL)	490
Beam angle in degrees (EPREL)	120

Single packaging



110
110
110
0,3
1

Bulk packaging



40

Europallet



6