

LED line PRIME

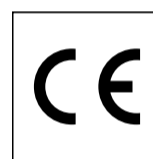
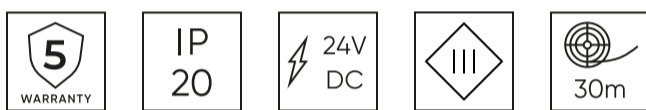
Code: 211100

EAN: 5905378211100

**LED strip 320 COB 24V 4000K 5W IP20
8mm 30m 500lm/m PRIME**



LED LED line PRIME 320 COB 30 m long and colour temperature 4000 K is a modern and efficient lighting solution. Powered by 24 V DC, it takes a power of 5 W per metre, which translates into a total luminous flux of 500 lm. Thanks to the use of COB technology, it provides high light performance with a value of 100 lm/W and a colour rendering coefficient of 90 Ra.



Technical data

Parameter	Value
Energy efficiency class 2019/2015	F
Warranty	5
Power	• 5 W / m
Voltage	• 24 V DC
Correlated colour temperature	• 4000 K
Colour of the light	White
Colour rendering index Ra	90
IP protection rating	IP20
IEC protection class	III
Cutting section	5 cm
Luminous efficacy	100
The lumen maintenance factor	96 %
Lifetime L70B50	50 000 h
L80B* - difference B10-B50 ≈ 1% (according to LightingEurope) - negligible	35000 h
Survival factor	0,9

Parameter	Value
Dimmable function	PWM
Wire length	200 mm
Luminous flux (lm)	500
Current (Im)	0,208
Beam angle	180
LED type	COB
LED quantity	1600
Compatible dimmer type	PWM
Laminate (colour)	White
Laminate (thickness)	2
LED quantity (lm)	320
Type of adhesive tape	3M 300 LSE
Ambient temperature suitable for operation	-30 ÷ 45
For indoor use	Inside
Height	2 mm

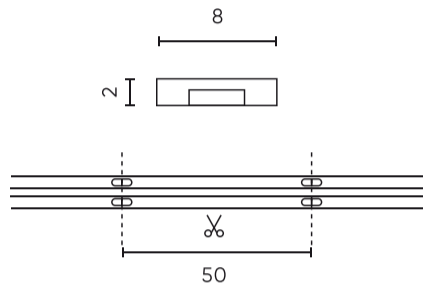
LED line PRIME

Code: 211100

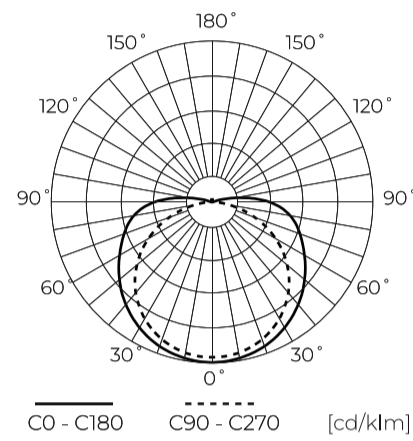
EAN: 5905378211100

**LED strip 320 COB 24V 4000K 5W IP20
8mm 30m 500lm/m PRIME**

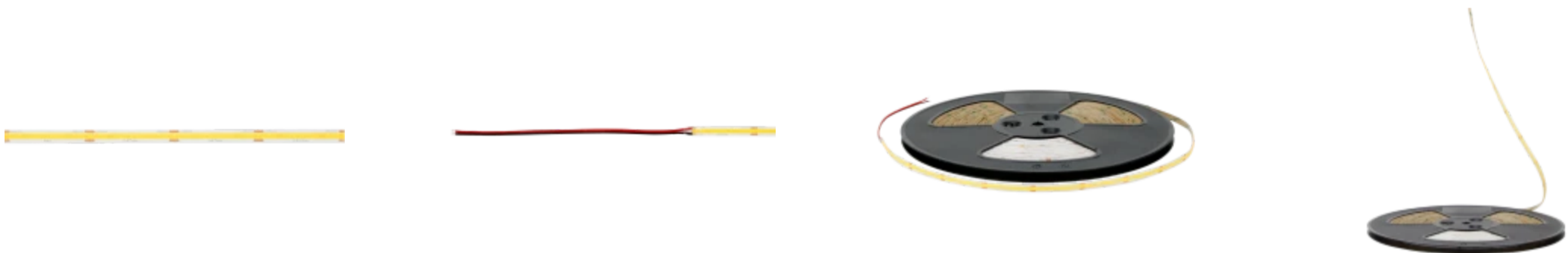
Technical drawing



Light distribution



Additional product photos



Logistics data



Single packaging

Quantity	30 m
Weight	0,562 kg

Bulk packaging

Quantity	20
Width	350 mm
Height	290 mm
Length	450 mm
Weight	13,36 kg

Europallet

Quantity	720
Height	1,90 m
Bulk quantity	36
Weight	346 kg

LED line PRIME

Code: 211100

EAN: 5905378211100

**LED strip 320 COB 24V 4000K 5W IP20
8mm 30m 500lm/m PRIME**

Example application