

LED line PRIME

Code: 202801

EAN: 5905378202801

**FLOODLIGHT 3CCT (3K/4K/5K) 200W
28000lm 120° IP66 PRIME**



LED line PRIME Floodlight 200W is an advanced light source with a luminous flux of 28000 lumens, offering exceptional performance of 140 lm/W. Thanks to a wide lighting angle of 120°, it is ideal under different conditions. Protection class IP66 and IK08 provide high resistance to external factors and mechanical damage. Made of aluminium and tempered glass guarantees long-lasting use.



Technical data

Parameter	Value
Energy efficiency class 2019/2015	D
Warranty	5/7*
Power	• 200 W
Voltage	• 100-277 V AC
Correlated colour temperature	• 3000 K • 4000 K • 5000 K
Colour of the light	CCT
Colour rendering index Ra	70
IP protection rating	IP66
IK protection rating	08
IEC protection class	I
Luminous efficacy	140
Luminous flux	28000
The lumen maintenance factor	96
Lifetime L70B50	50 000 h

Parameter	Value
L80B* – difference B10–B50 ≈ 1% (according to LightingEurope) – negligible	35000 h
Survival factor	0.9
Colour consistency in McAdam ellipses	≤6
Wire length	1 050 mm
Mounting type	surface
Frequency of the supply voltage	50/60Hz
Beam angle	120
LED type	SMD2835
Power Factor	0,9
Number of on/off cycles	50000
Ambient temperature suitable for operation	-40÷45
Height	54
Material (housing)	Aluminium
Material (cover)	Tempered glass

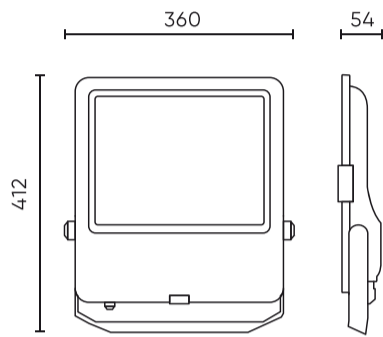
LED line PRIME

Code: 202801

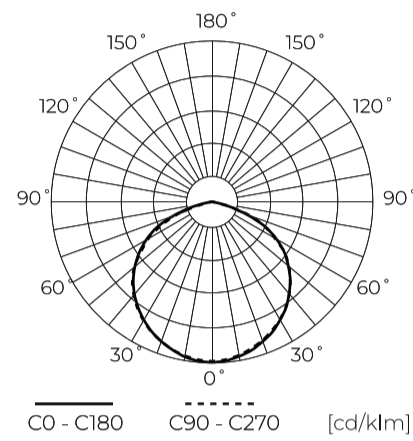
EAN: 5905378202801

**FLOODLIGHT 3CCT (3K/4K/5K) 200W
28000lm 120° IP66 PRIME**

Technical drawing



Light distribution



Additional product photos

Logistics data



Single packaging

Width	412 mm
Height	54 mm
Length	360 mm
Weight	3,57 kg

Bulk packaging

Quantity	1
Width	450 mm
Height	80 mm
Length	420 mm
Volume	0,015 m3
Weight	3,57 kg
Comments	

Europallet

Quantity	60
Height	1920 mm
Quantity in layer	2
Number of layers	24
Bulk quantity	48
Weight	25 kg

LED line PRIME

Code: 202801

EAN: 5905378202801

**FLOODLIGHT 3CCT (3K/4K/5K) 200W
28000lm 120° IP66 PRIME**

Example application