

LED line

FLOWLITE-II

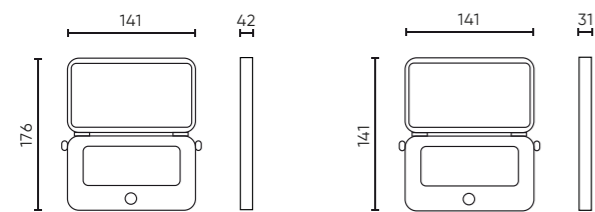
POWERED BY THE SUN 





SOLAR FLOODLIGHT

FLOWLITE-II 



EFFICACY UP TO 110 lm/W

Power [W]:
3, 10

Luminous flux [lm]:
300, 1100

Beam angle [°]:
120

Colour temperature [K]:
4000 CCT



Lifetime [h]:
L70B50 - 15.000

Housing:
aluminium

Diffuser:
polycarbonate

Key features:

- ▶ Full independence from external power sources
- ▶ Replaceable 18650-type battery
- ▶ Intelligent energy management – autonomous brightness adjustment and operation under limited sunlight conditions
- ▶ Weather-resistant housing rated IP65
- ▶ Quick and easy installation without the need for wiring
- ▶ Version with remote control and adjustable 3CCT color temperature (3000–4000–6500K)

Application:

- ▶ Locations without access to an electrical installation
- ▶ Lighting for private properties and areas around buildings
- ▶ Driveways, entrances, gates, and wickets
- ▶ Pedestrian routes and pathways

Sustainability without compromising on quality

We present the revolutionary LED line solar luminaires that are redefining outdoor lighting by delivering complete energy independence and exceptional durability. Our priority was to design a product built for years of reliable use, which is why we introduced an innovative construction with an easily replaceable 18650-type battery—eliminating the need to dispose of the entire luminaire once the cell reaches the end of its lifespan. An intelligent energy management system ensures dependable performance even on less sunny days, automatically optimizing operation and maximizing the use of stored solar energy.

The robust housing with a high IP65 protection rating effectively shields the electronics from rain, dust, and fluctuating temperatures.



Right to Repair

Replacing the battery instead of the entire luminaire – lower costs and a longer service life.



Intelligent autonomy

The built-in PIR motion sensor and dusk sensor efficiently use the harvested solar energy, operating fully autonomously.





Remote control and CCT

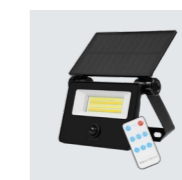
Remote adjustment of the light color temperature and operating modes, tailored to the user's needs.





Technical parameters



W	rozsył	lm	symbol
3	120°	300	223943
4000K			 

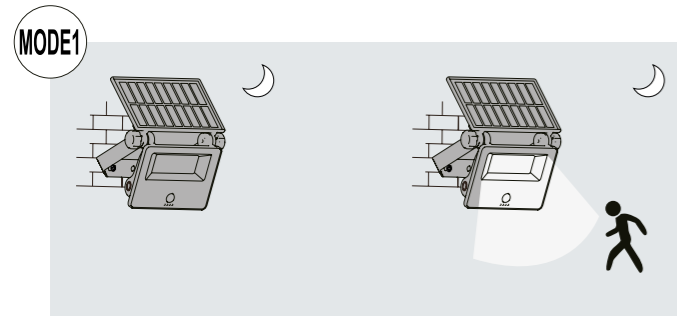
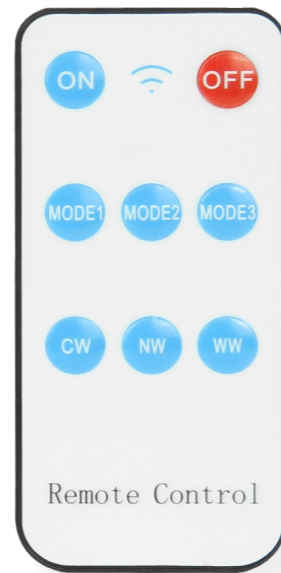


W	rozsył	lm	symbol
10	120°	1100	223936
3000-4000-6500K			 

Remote control functions

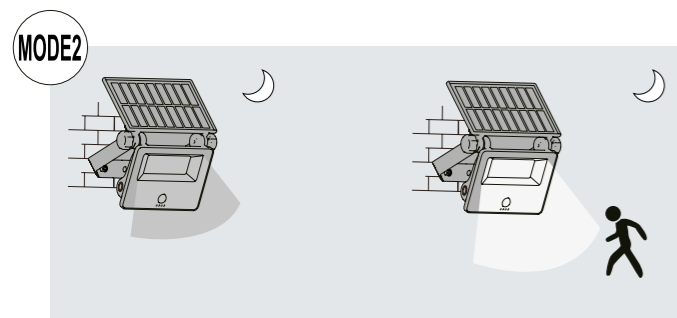
The included remote control allows for quick and convenient management of the luminaire's operation—without the need to approach the device or interfere with the installation. It enables the lighting mode to be tailored to actual user needs and surrounding conditions.

Using the remote, you can switch the luminaire on, select the operating mode, and choose one of three light color temperatures. The luminaire can operate automatically after dusk, respond to motion, or combine subtle constant light with full output upon motion detection—ensuring comfort, safety, and energy efficiency.



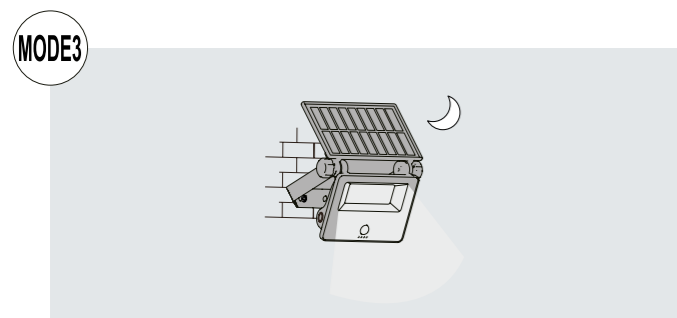
MODE 1

The luminaire remains off when no motion is detected. When a person appears, it automatically switches on at full output, providing immediate and effective illumination of the area.



MODE 2

The luminaire emits a low-level standby light (10%) and switches to full brightness when motion is detected. An ideal combination of safety, convenience, and energy efficiency.



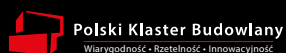
MODE 3

The luminaire operates continuously at 40% brightness, providing even and predictable lighting. The motion sensor is disabled.



LED line

WE CO-CREATE



LEDIN Group Sp. z o.o.
Dębowa 1
07-410 Tobolice
Poland

export@ledline.pl
ledline.eu

 /LEDIN Group Sp. z o.o.

 /LED line

 /LED line